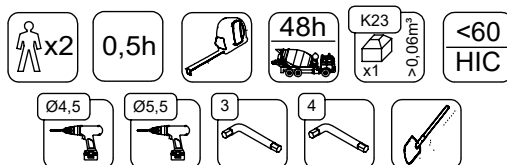
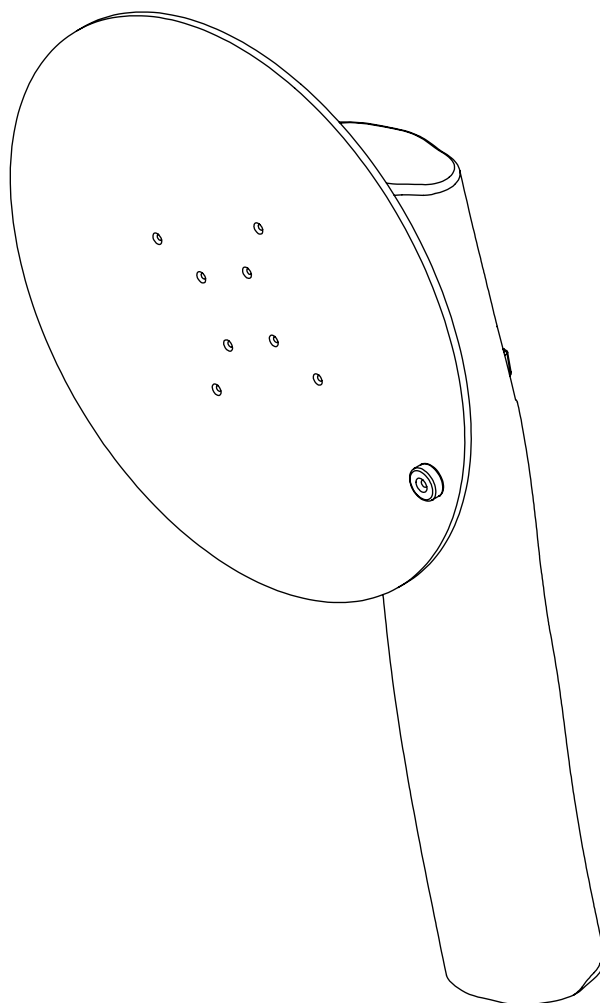
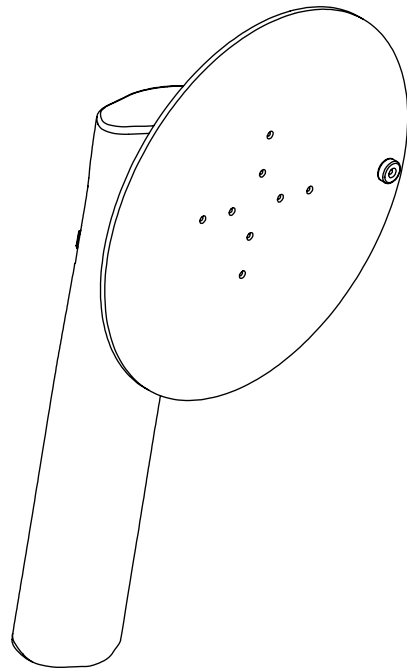
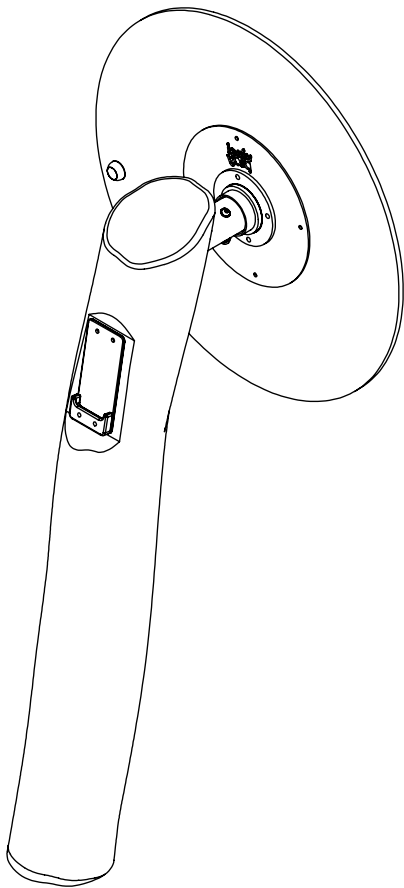
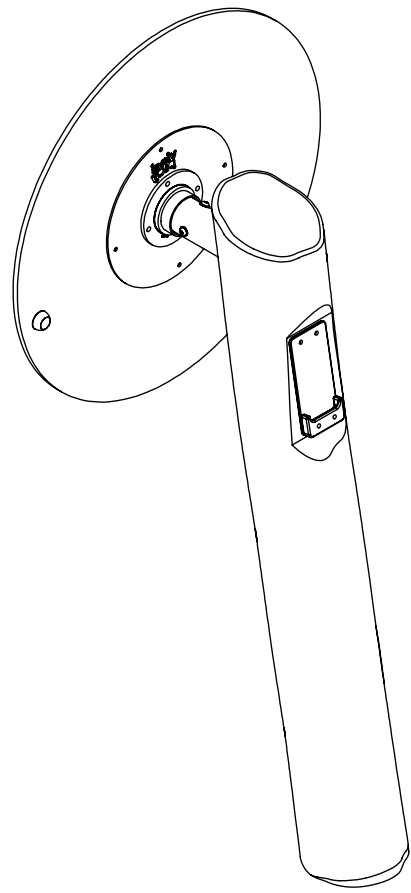
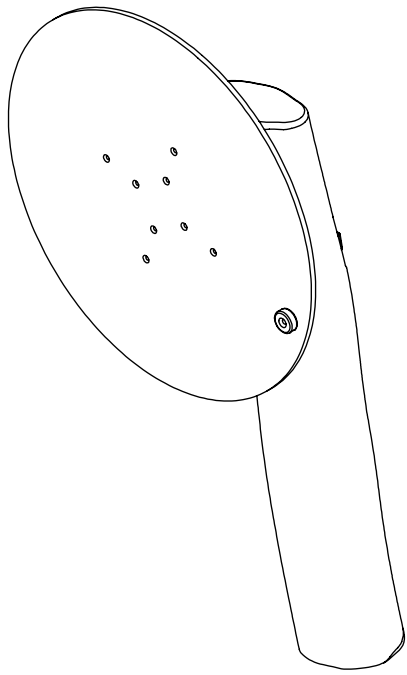


RB1110



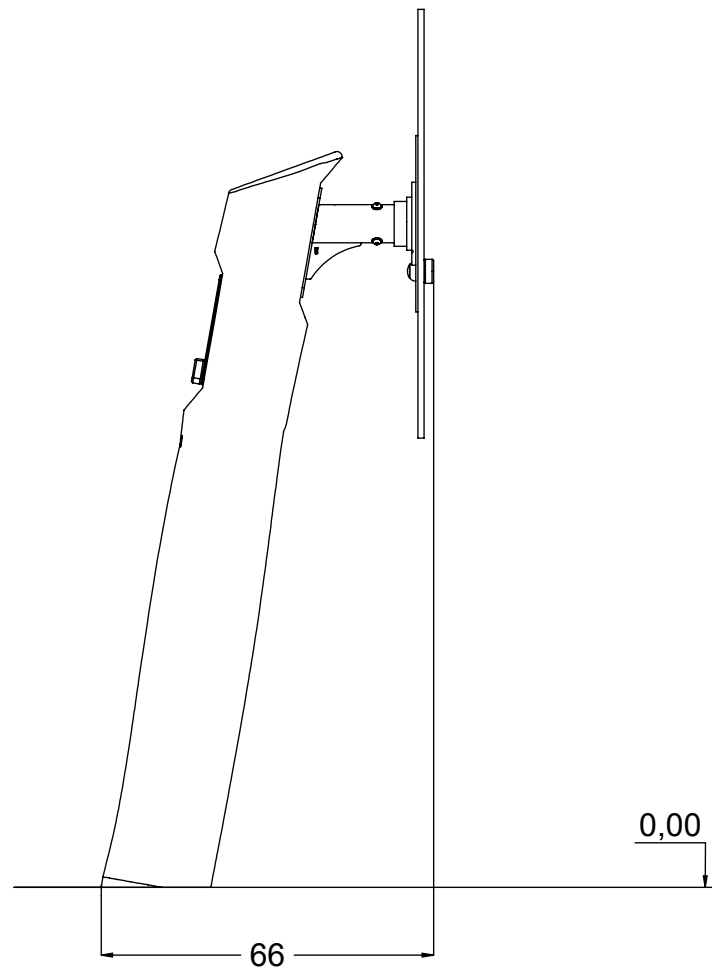
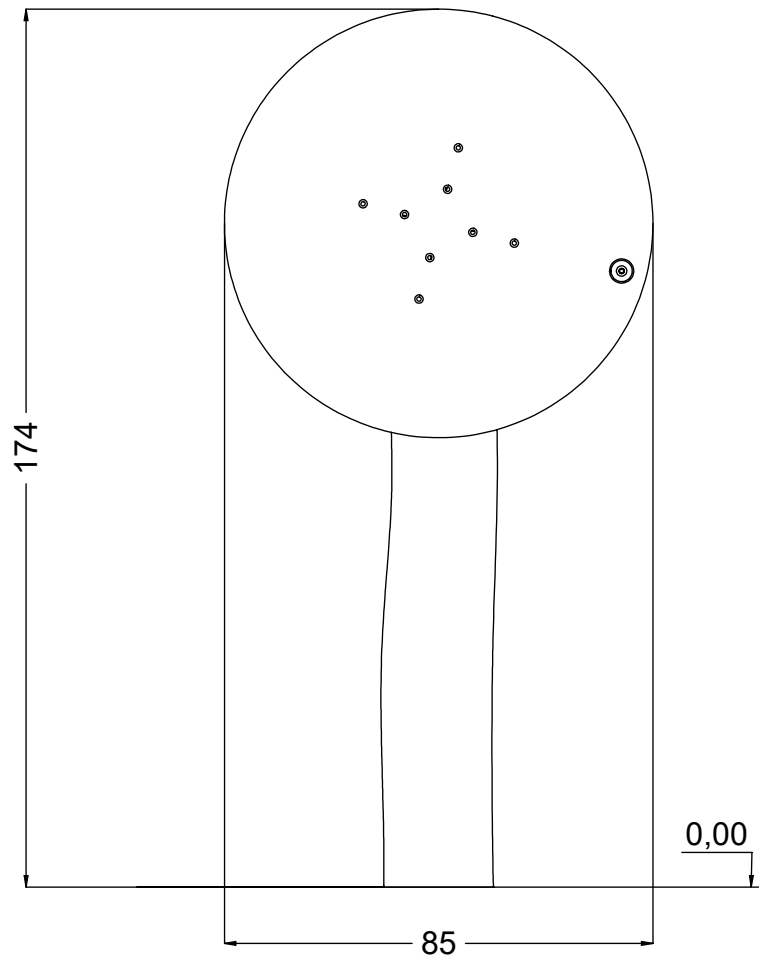
v011
11.07.2022
D. P.
[cm]

vinci
play



[cm]

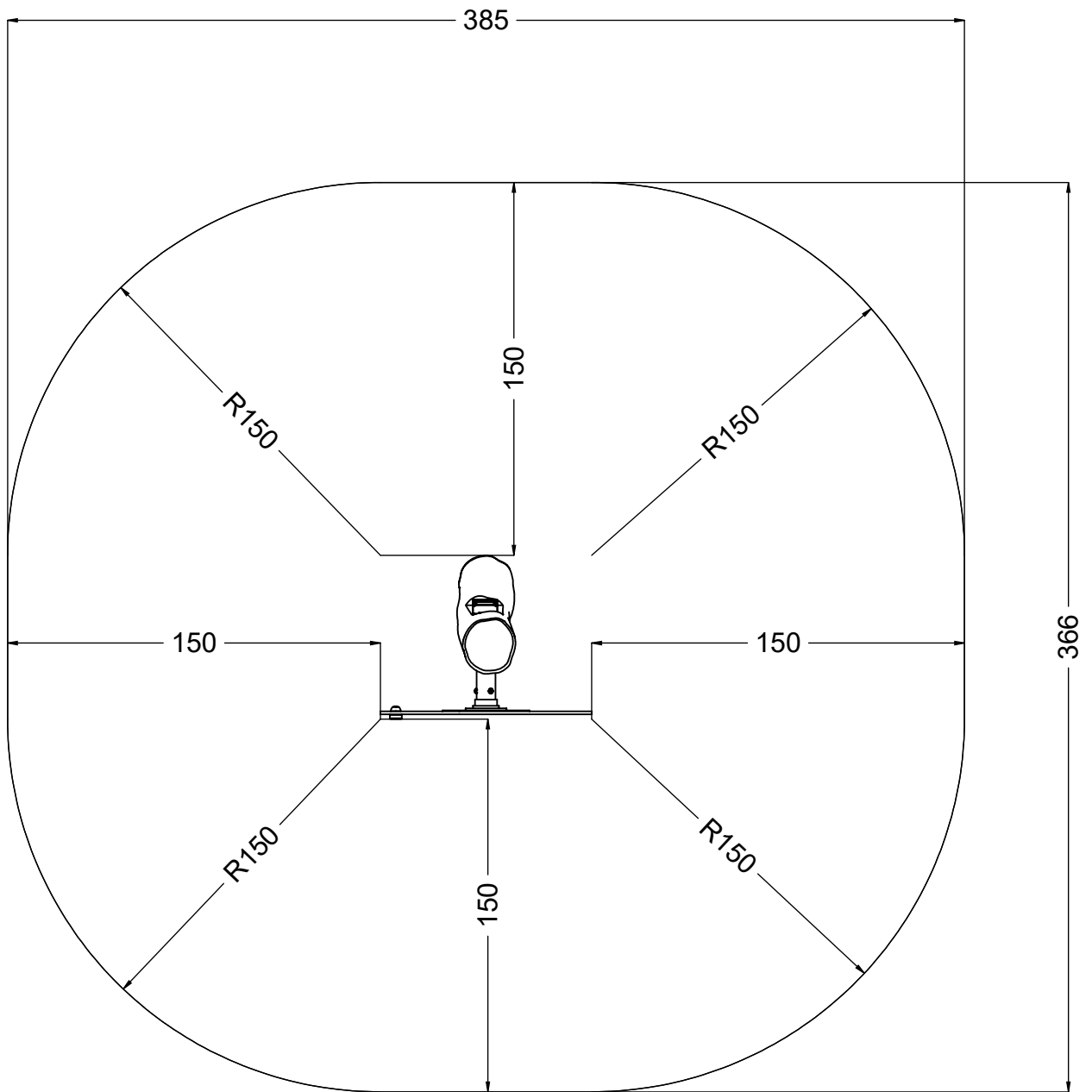
vinci
play



[cm]



vinci
play



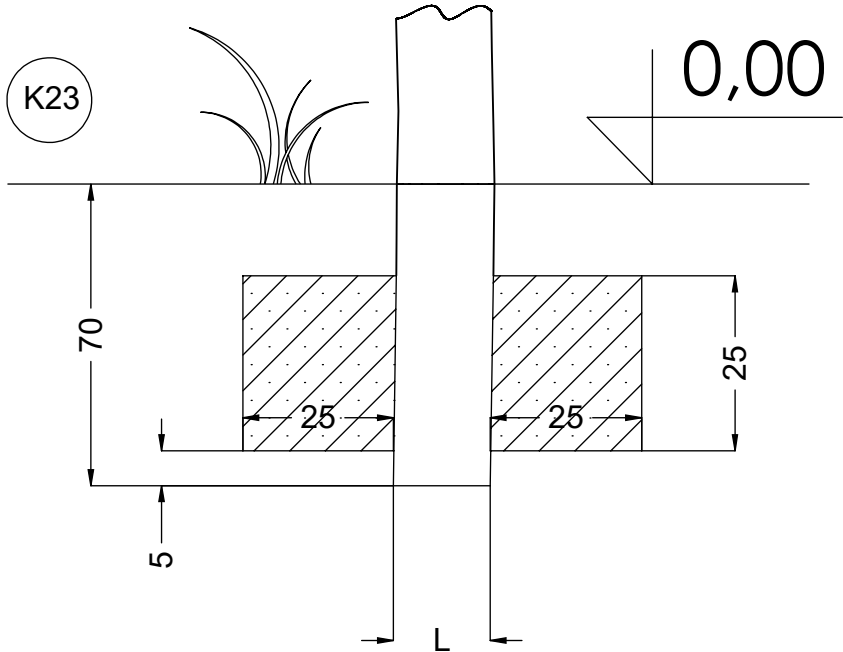
[cm]



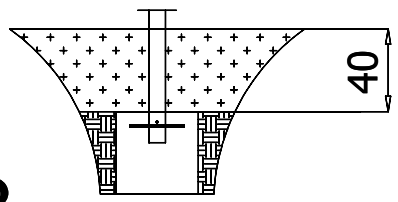
vinci
play

K23

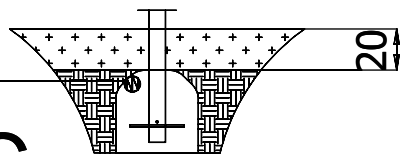
0,00



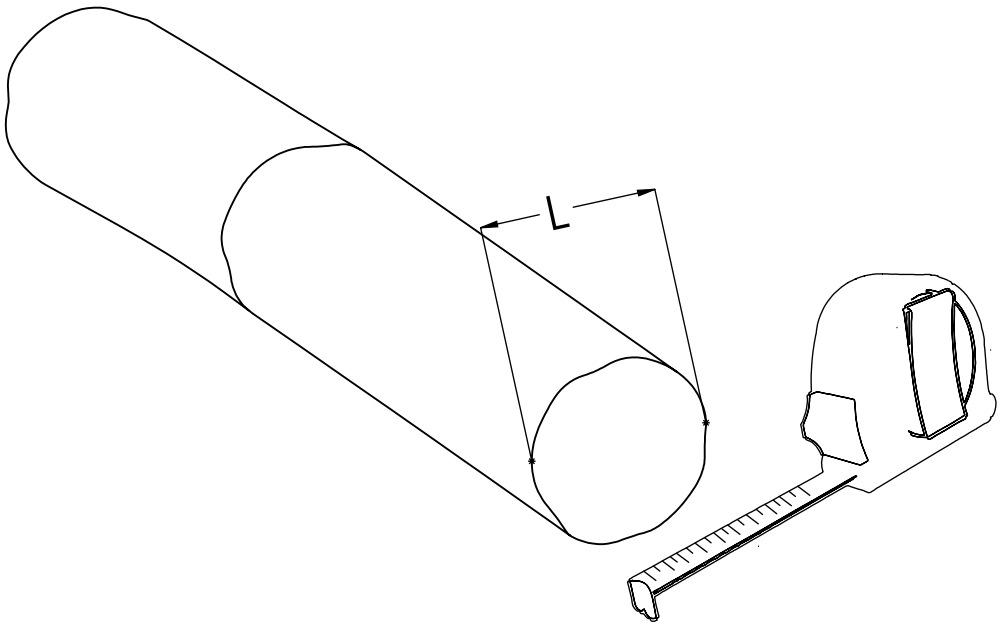
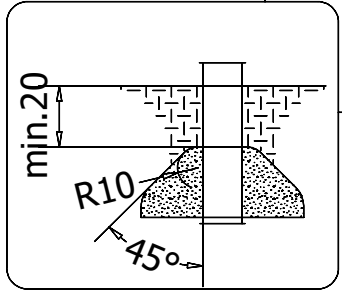
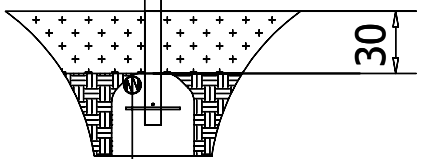
A.



B.

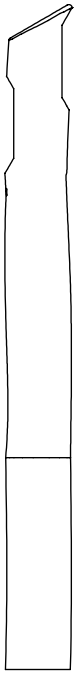


C.

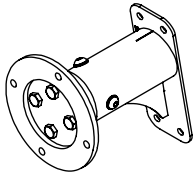


[cm]

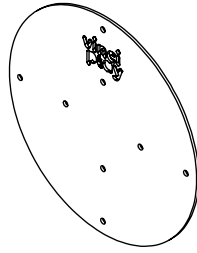
vinci play



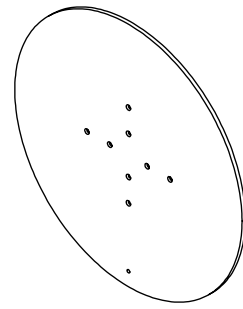
127587
x1



114138
114137 (inox)
x1

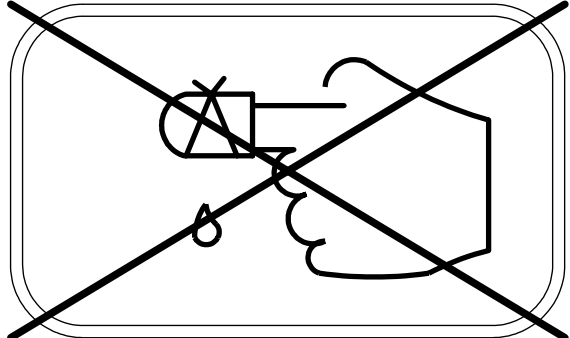
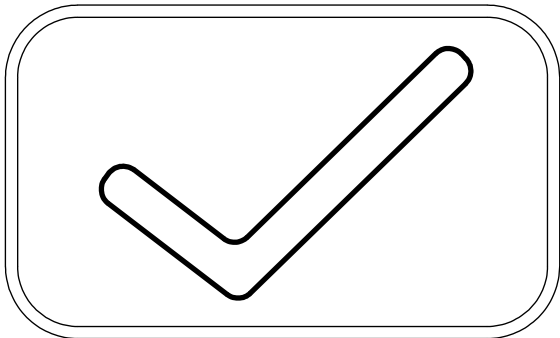
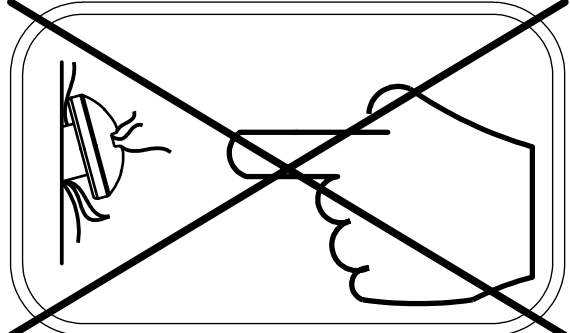
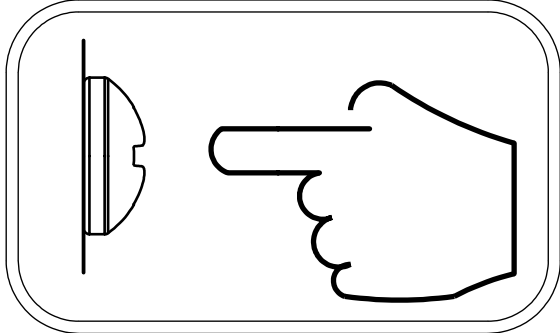
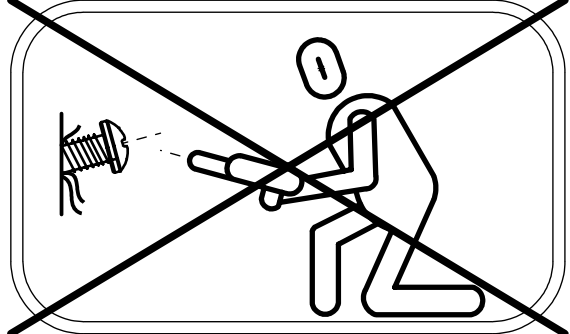
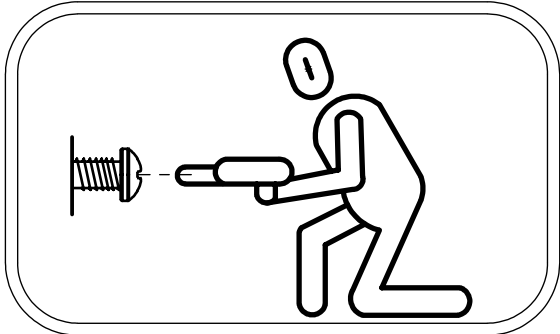


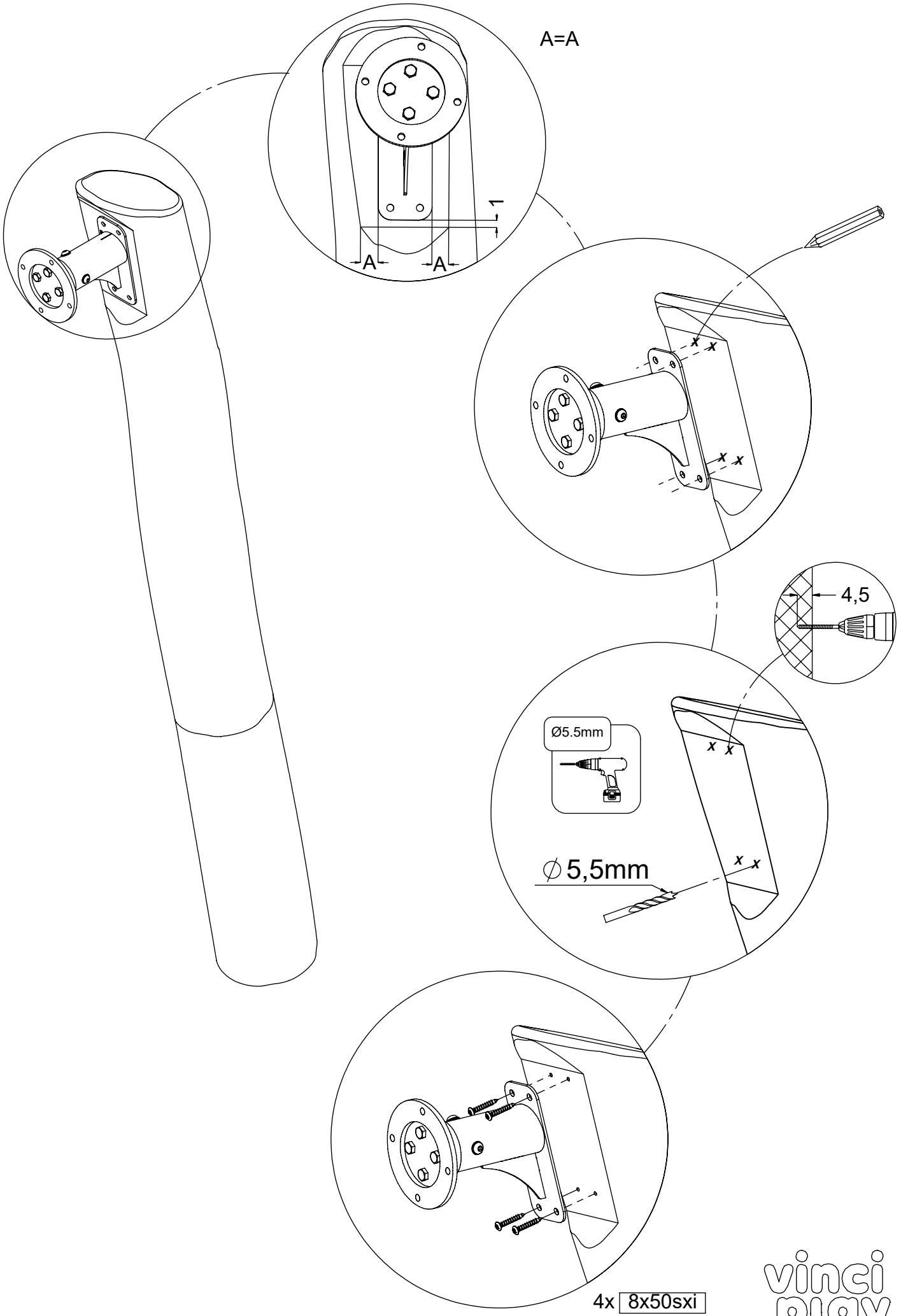
b465
i361 (inox)
x1



111121
x1

6x	8x50sxi
2x	7x35sxi
1x	126210
1x	111111
1x	11e021
1x	11e022
4x	8pp
2x	10pp





A=A

A

A

1

4,5

Ø5.5mm

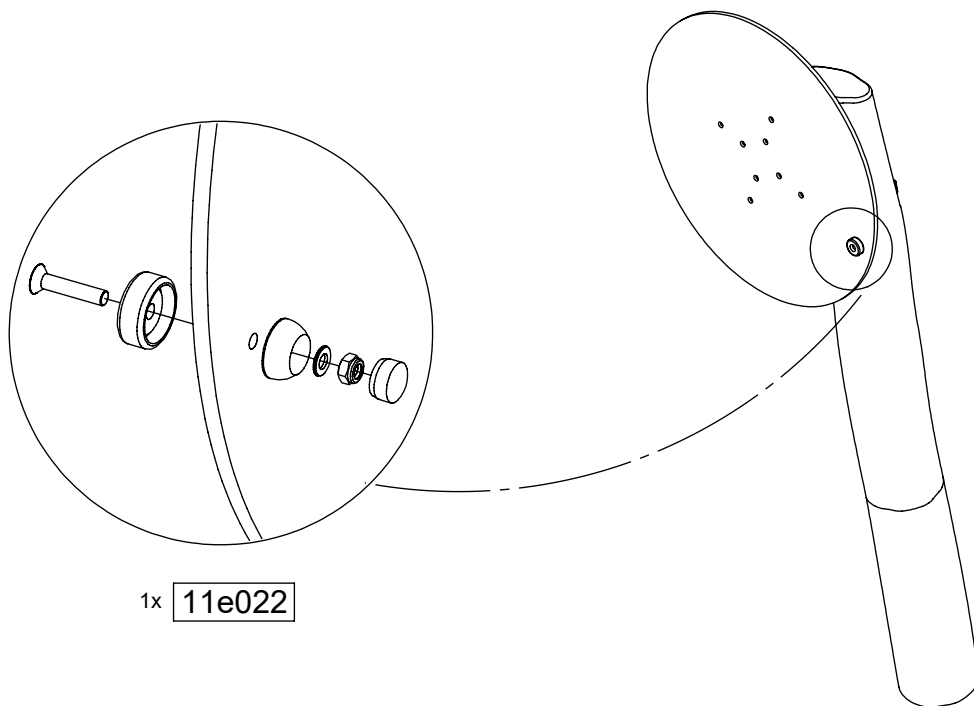
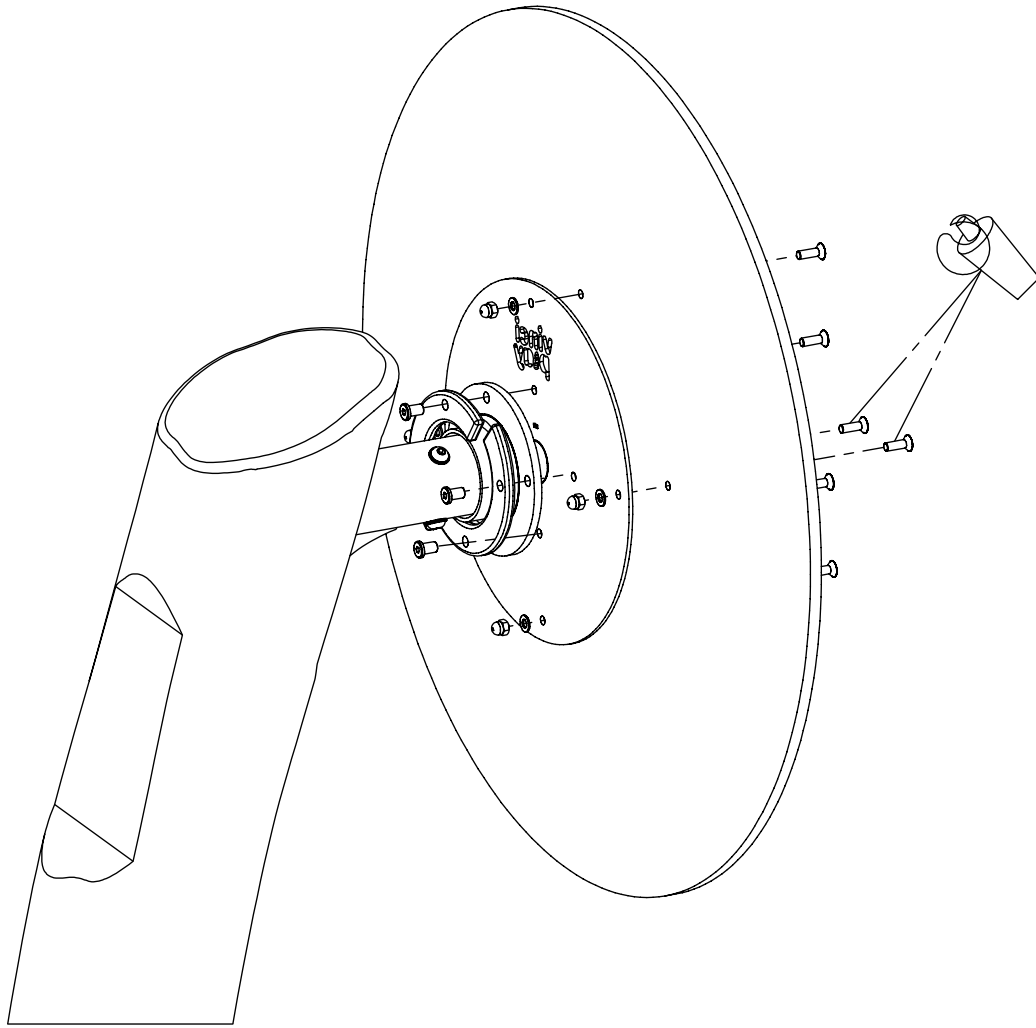
Ø 5,5mm

4x 8x50sxi

[cm]

vinci
play

1x 11e021



1x 11e022

[cm]

vinci
play

A=A

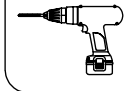
-0,5

-0,5

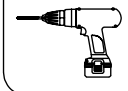
A A

2

Ø4.5mm



Ø5.5mm



2x 7x35sxi

126210

111111

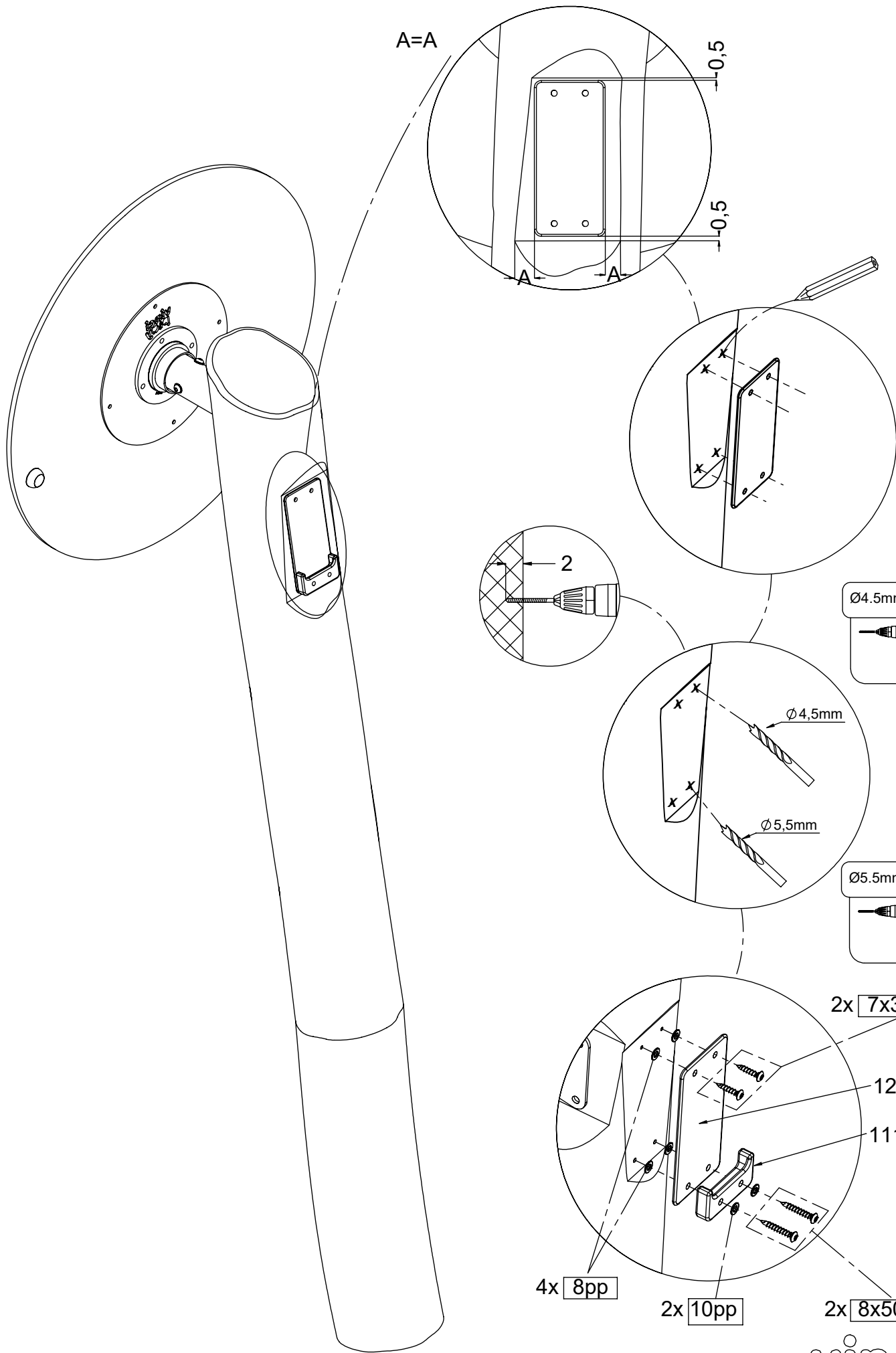
4x 8pp

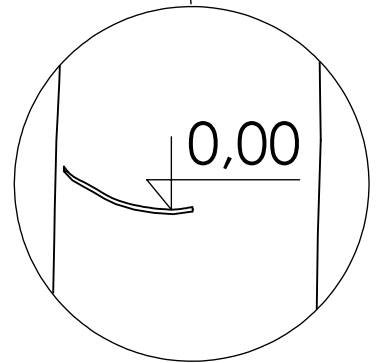
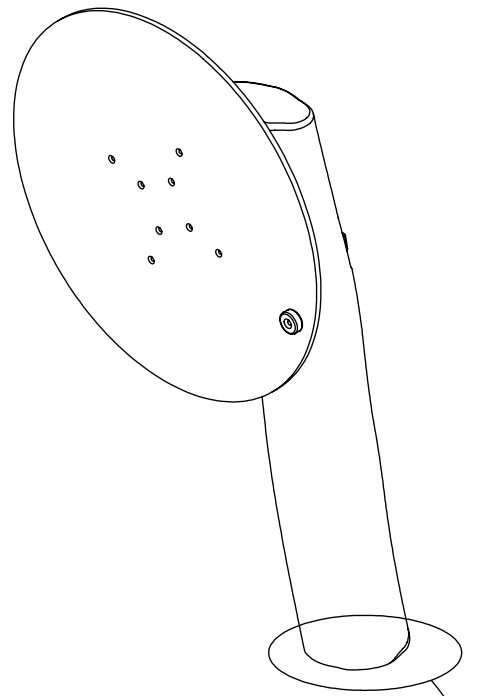
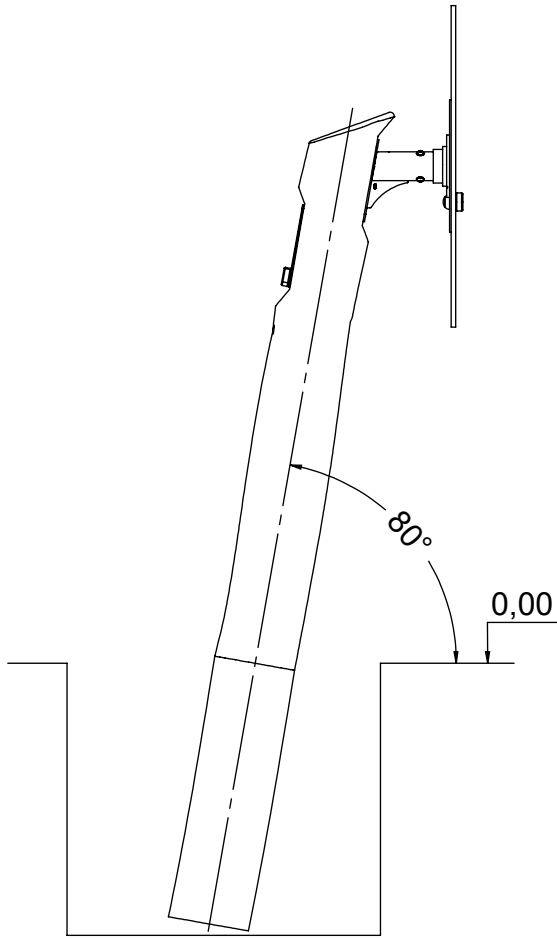
2x 10pp

2x 8x50sxi


vinci play

[cm]

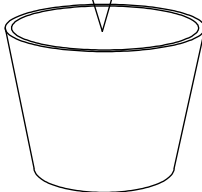





Part No:
000000-
00000



000000-00000



[cm]

vinci
play